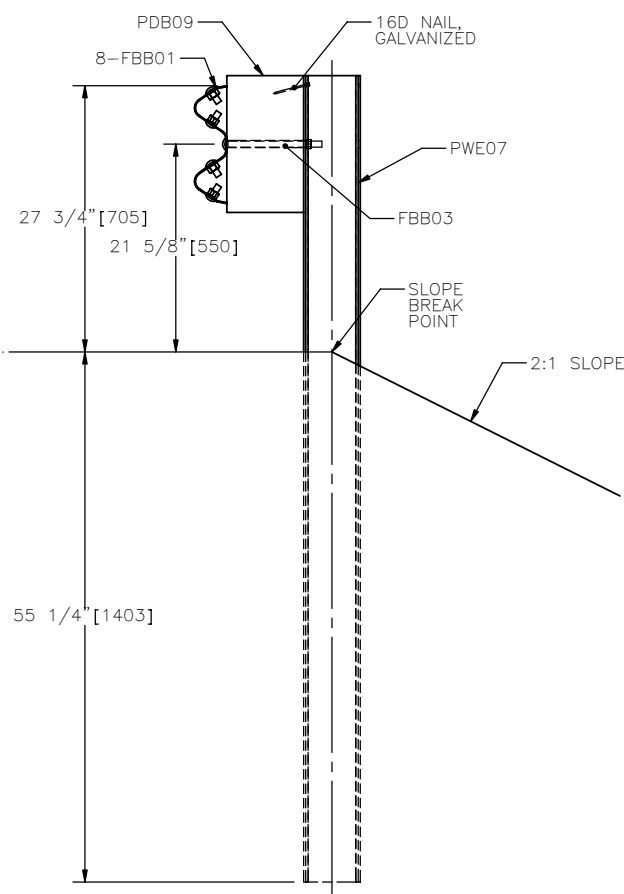
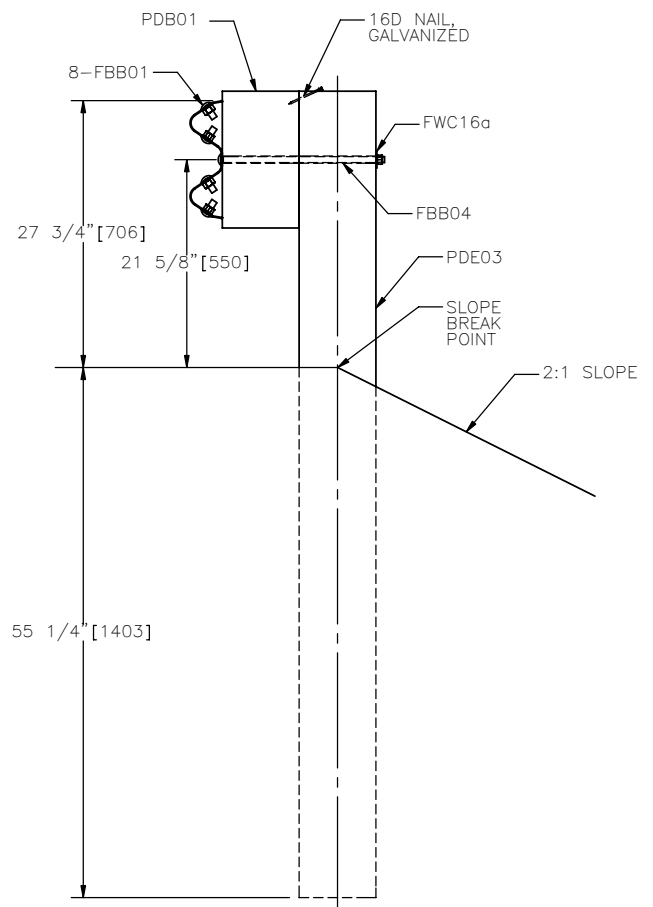


ELEVATION



SGR24a
SECTION A-A



SGR24b

REDUCED SPACING, STRONG-POST, W-BEAM GUARDRAIL ON A SLOPE



SGR24a-b

SHEET NO.

DATE:

1 of 2

8/23/2007

INTENDED USE

Strong-Post W-Beam Guardrail on a Slope, with 1/2 post spacing on a 2H:1V slope (SGR24a-b) should be used in locations where a maximum dynamic deflection of 38 5/8" [981] or less is acceptable. The posts should be positioned such that the center of the post is coincident with the slope break point. W-Beam on a Slope should be anchored and terminated using a suitable guardrail end treatment. W-Beam on a Slope can be used with wide-flange steel posts (PWE07) or timber posts (PDE03). Guardrail sections measuring 300" [7620] long can be used in lieu of the 150" [3860] long sections. This system is TL-3 NCHRP 350 accepted.

COMPONENTS

Unit Length = 150" [3810]

DESIGNATOR	COMPONENT	SYSTEM	NUMBER
FBB01	Guardrail splice bolts and nuts	a-b	8
FBB03	Guardrail post bolts and nuts	a	4
FBB04	Guardrail post bolts and nuts	b	4
FWC16a	Round washer	b	4
PDB01	W-beam timber blockout	b	4
PDB09	Timber blockout	a	4
PDE03	Timber guardrail post	b	4
PWE07	Wide-flange guardrail post	a	4
RWM04a	W-beam rail	a-b	1
-----	16D nail, galvanized	a-b	4

ACCEPTANCE

FHWA Acceptance Letter [B-64C](#), April 21, 2003.

REFERENCES

Polivka, K.A., Faller, R.K., Sicking, D.L., Rohde, J.R., Holloway, J.C., and Keller, E.A., Development of a W-Beam Guardrail System for Use on a 2:1 Slope, Final Report to the Midwest State's Regional Pooled Fund Program, Transportation Research Report No. TRP-03-99-00, Project No. SPR-3(017)-Years 9 & 10, Midwest Roadside Safety Facility, University of Nebraska-Lincoln, October 16, 2000.

Polivka, K.A., Sicking, D.L., Faller, R.K., and Rohde, J.R., A W-Beam Guardrail Adjacent to a Slope, Paper No. 01-0343, Transportation Research Record No. 1743, Transportation Research Board, National Research Council Washington, Washington, D.C., January 2001. pp. 80-87.

CONTACT INFORMATION

Midwest Roadside Safety Facility
 E527 Nebraska Hall
 Lincoln, NE 68588-0529
 (402) 472-0965
 Email: mwrfsf@unl.edu
 Website: <http://mwrfsf.unl.edu/>



REDUCED SPACING, STRONG-POST, W-BEAM GUARDRAIL ON A SLOPE

SGR24a-b



SHEET NO.

DATE:

2 of 2

8/23/2007