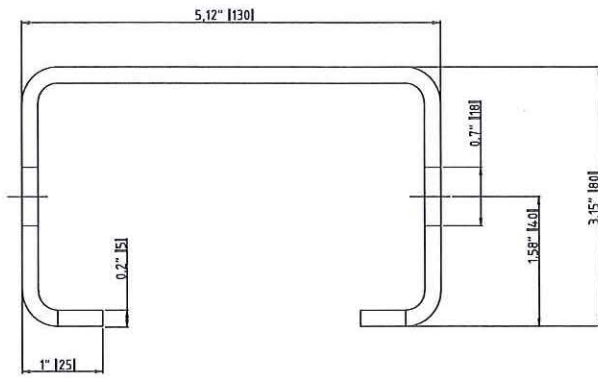
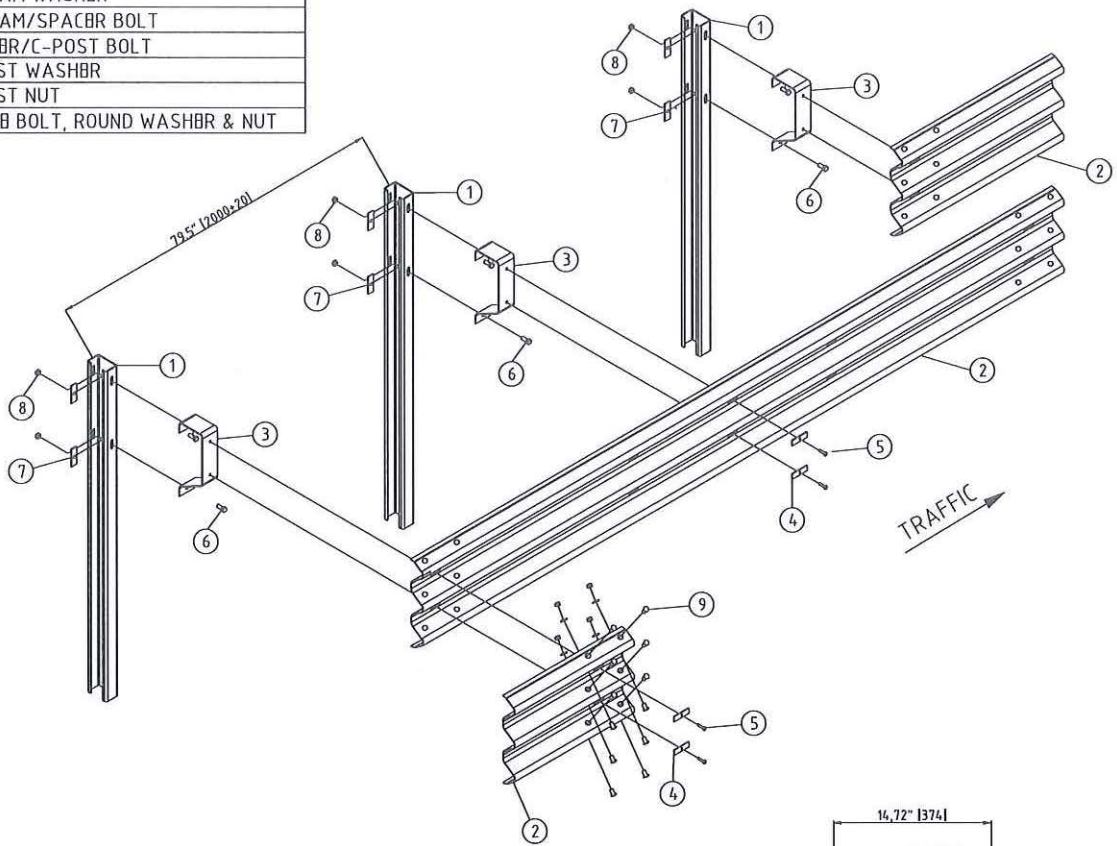
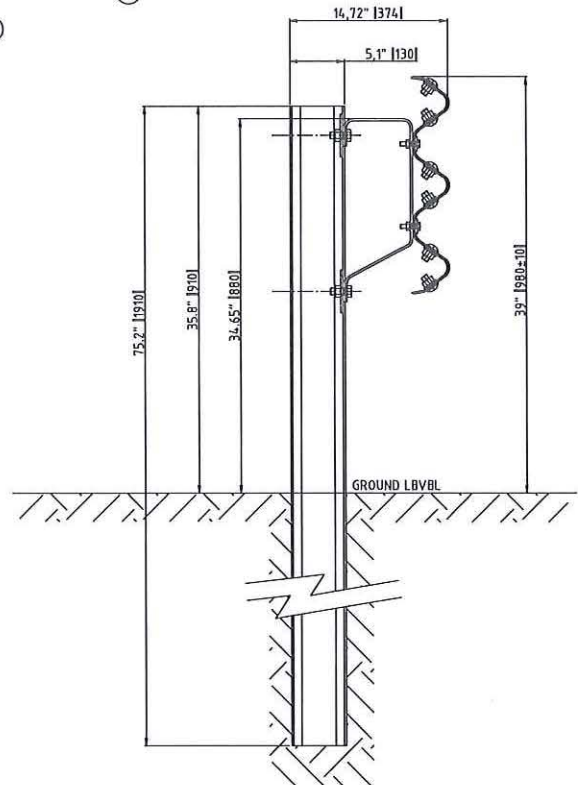


BILL OF MATERIALS

1	C- POST
2	W-BBAM GUARDRAIL
3	SPACBR
4	W-BBAM WASHBR
5	W-BBAM/SPACBR BOLT
6	SPACBR/C-POST BOLT
7	C-POST WASHBR
8	C-POST NUT
9	SPLICR BOLT, ROUND WASHBR & NUT



C-POST PLAN



C-POST ELEVATION



TL4 MASH COMPILANT BARRIER

BLIDTL4C2-MASH

SHOBT No
1 OF 2

DATE
16/12/19

INTENDED USE

BLIDTL4C2-MASH is a fully compliant TL4 MASH longitudinal guardrail barrier system and it can be used in TL4 design locations where maximum dynamic deflection of 4.06ft. or less is acceptable. BLIDTL4C2-MASH system must be anchored with a suitable terminal system. The system post spacing is 79 inches [2000mm].

COMPONENTS (unit length 157 in [4000 mm])

Component	Quantity
Thrie-beam rail 4320mm	1
Post C130x80x25x5	2
Spacer thickness 5mm	2
M16x30 Round Head Bolt Class 8.8	12
M16x40 Hexagonal Head Bolt Class 8.8	4
M10x40 Hexagonal Head Bolt Class 8.8	4
Rectangular plate 100x35x5 ø18mm	4
Rectangular plate 100x35x5 ø12mm	4
M16 Nuts Class 8	16
M10 Nuts Class 8	4
Flat Washer M10	4

CONTACT INFORMATION

INDUSTRIAS DUERO SL

C/GONZALEZ DAVILA 1
28031 MADRID
SPAIN

+34 917775001
www.industriasduero.com



TL4 MASH COMPILANT BARRIER

BLIDTL4C2-MASH

SHBBT No
2 OF 2

DATE
16/12/19